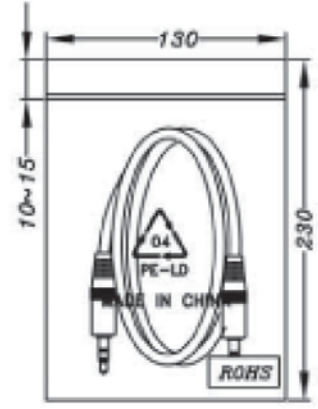


Electrical test:
 1. 100% short, open, miswire test
 2. Conduct resistance: 2 Ohm(max)
 3. Insulation resistance: 1 Mohm(min)
 4. dielectric test: DC 300V

PIN ASSIGNMENT		
P1		P2
1	RED	1
2	WHITE	2
3	S	3



5	OUTER MODEL PVC 45P COLOR BLACK		4.8	g	
4	ROUND TIN OD1.0mm		0.15	g	
3	3.5 STEREO JACK ODB.0mm		1	P2	
2	3.5 STEREO PLUG PLATE NICKEL L=30mm		1	P1	
1	T.C (7/0.12*20+43/0.12)*1C (RED,WHITE)*3.0 COLOR BLACK(CS-001)	01	1	1500mm	
NO.	PART NO.	DESCRIPTION	VENDER	QTY	UNIT/REF



Scale	1:1
TOLERANCE	
X.X	±0.40
X.XX	±0.25
X.XXX	±0.15
Angle	±3°

Modification			Date		Name		



Name	Item No.
Chappell	AK-AV100 (1.50M)
Drawn	01.03.12
Approved	
Title Stereo Connection Cable, 3-Pin, 3.5mm Stereo Male to 3.5mm Stereo Male	
Drawing No.	
rev00	
Replace	Sheet