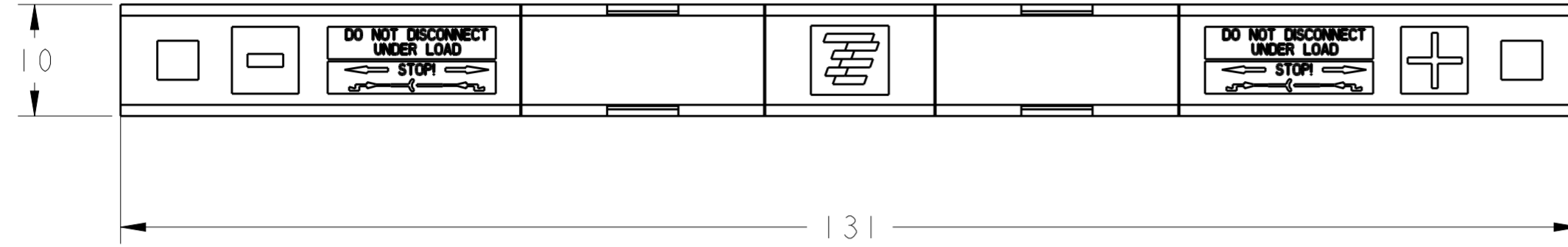
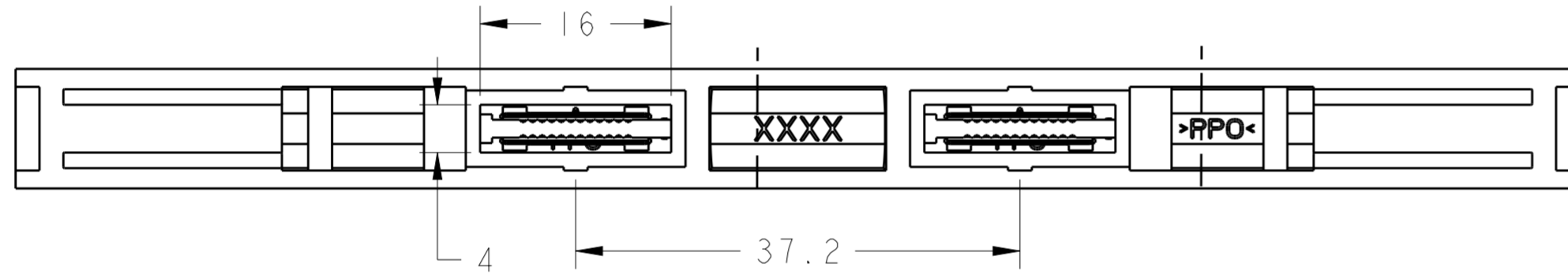
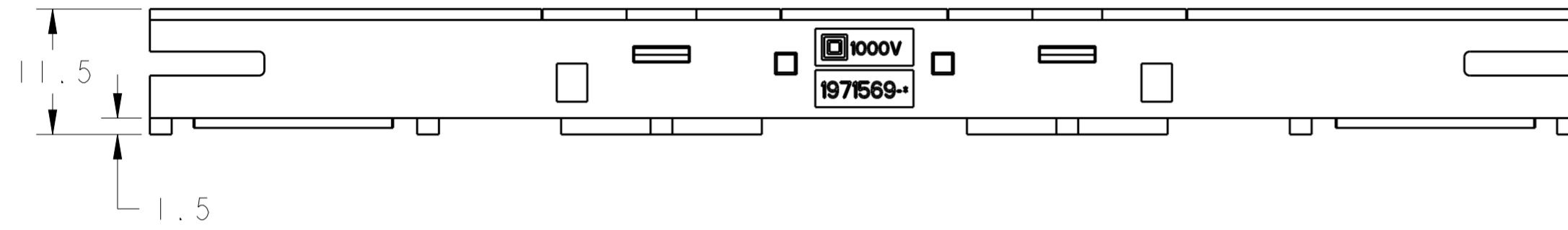


THIS DRAWING IS UNPUBLISHED. RELEASED FOR PUBLICATION 20
 © COPYRIGHT 20 BY - ALL RIGHTS RESERVED.

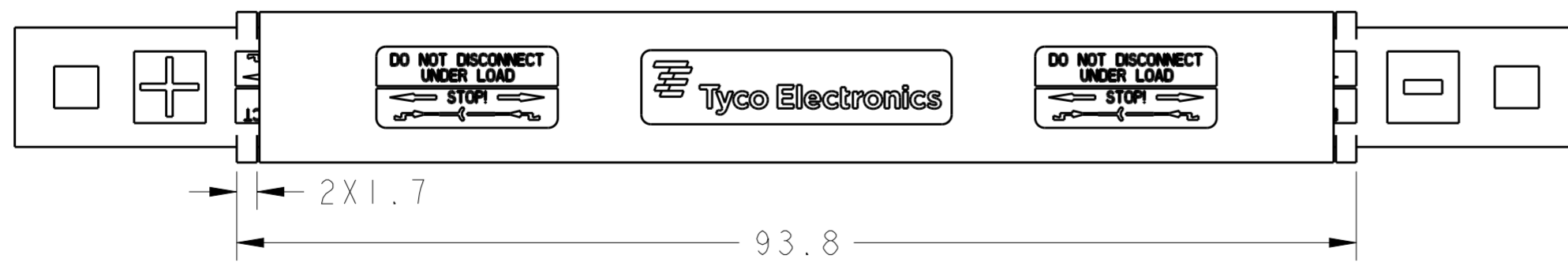
LOC		DIST		REVISIONS			
P	LTR	DESCRIPTION	DATE	DWN	APVD		
-	-	A8	ECR-13-003199	20FEB2013	LW	PY	




- NOTE
- FOR 1971569-1&-2, THE CONNECTION OF THE FOIL AND THE CONTACT IS CLAMPING WITH O-RING(OPTION POTTING MAY APPLY FOR WELDING OR SOLDERING FOIL TO CONTACT)
 - FOR 1971569-3&-4, THE CONNECTION OF THE FOIL AND THE CONTACT IS CLAMPING WITH O-RING(NO POTTING IS REQUIRED)
 - FOR 1971569-5&-6, THE CONNECTION OF THE FOIL AND THE CONTACT IS WELDING OR SOLDERING(POTTING IS REQUIRED)
 - THIS IS PRODUCT FOR BIPV, USING AT THE EDGE OF THE SOLAR PANEL
 - TWO CLASS: 11A FOR CRYSTALLINE, 3A FOR THIN FILM
 - RECOMMEND RIBBIN: WIDTH<=8mm THICKNESS<=0.5mm THE RIBBIN SHOULD BE BENDING BACK. IF THE THICKNESS>0.5mm, THE RIBBIN SHOULD NOT BE BENDING
 - THE POTTING VOLUME IS ABOUT 0.6ML AND TWO AREAS OF ONE STRADDLE EDGE JUNCTION BOX WILL NEED ABOUT 1.2ML
 - ALL THE COMPONENTS ARE PACKAGED SEPARATELY



-1, -2 as shown

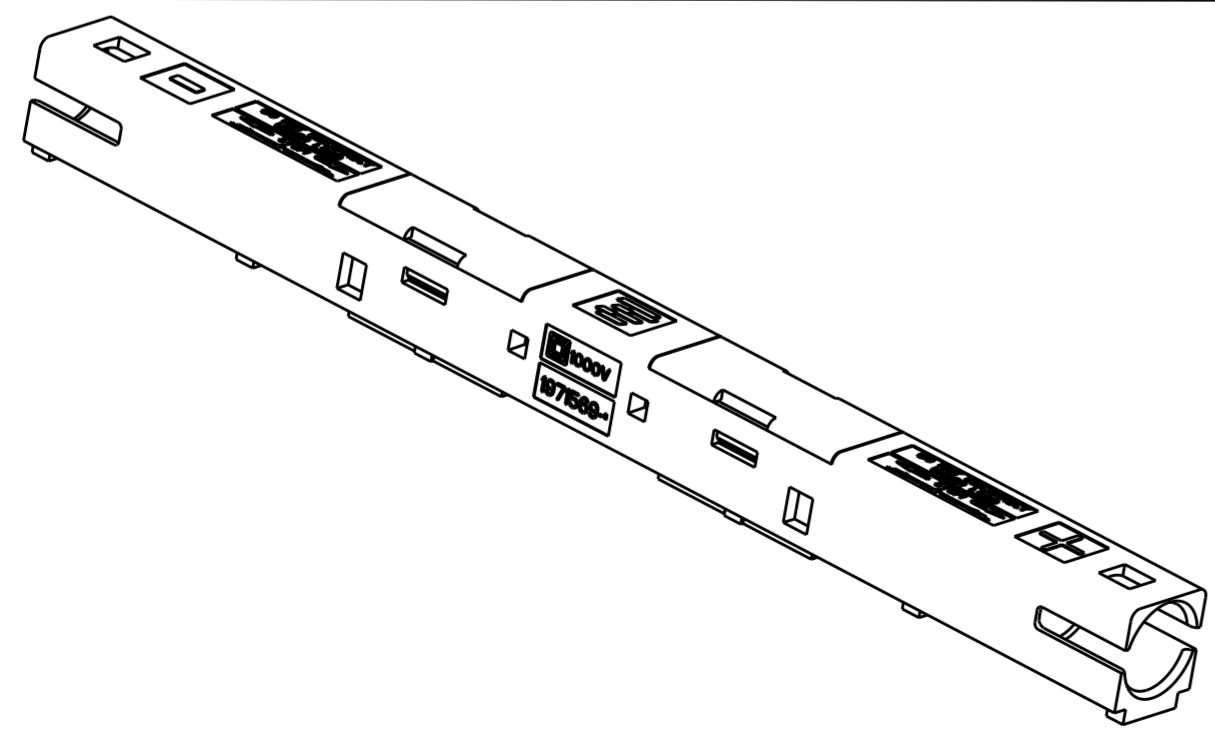
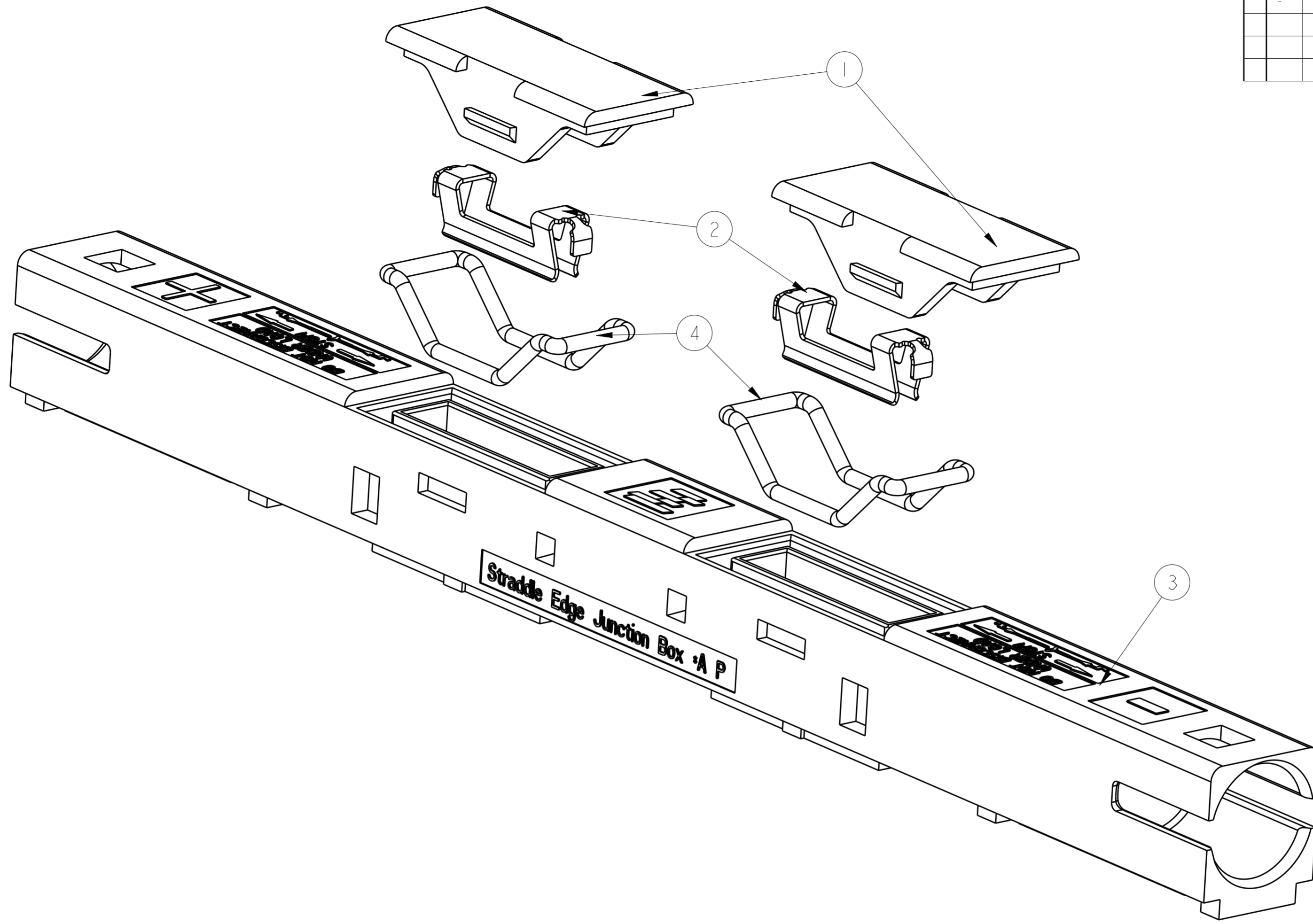


The other dimension is the same as -1 and -2

THIS DRAWING IS A CONTROLLED DOCUMENT.		DWN LORRY WANG 20FEB2013	 TE Connectivity		
DIMENSIONS: mm		CHK DANIEL TAO 20FEB2013			NAME STRADDLE EDGE CONNECTOR ASSY
TOLERANCES UNLESS OTHERWISE SPECIFIED:		APVD PETER YIN 20FEB2013			PRODUCT SPEC 108-106018
0 PLC ±0.5 1 PLC ±0.5 2 PLC ±0.13 3 PLC ± 4 PLC ± ANGLES ± FINISH ±		APPLICATION SPEC 114-106001			RESTRICTED TO -
MATERIAL -		WEIGHT -	SIZE A200779	CAGE CODE C-1971569	
		Customer Drawing	SCALE 1:1	SHEET 1 OF 4 REV A8	

THIS DRAWING IS UNPUBLISHED. RELEASED FOR PUBLICATION 20
 © COPYRIGHT 20 BY - ALL RIGHTS RESERVED.

LOC	DIST	REVISIONS			
P	LTR	DESCRIPTION	DATE	DWN	APVD
-	-	SEE SHEET 1	-	-	-



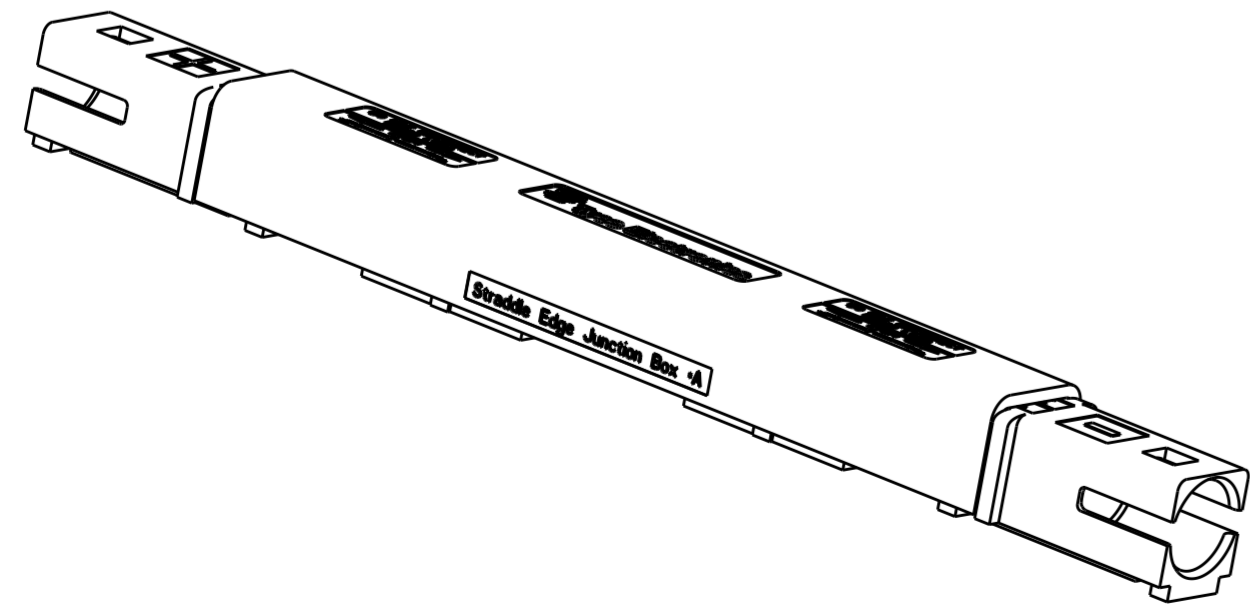
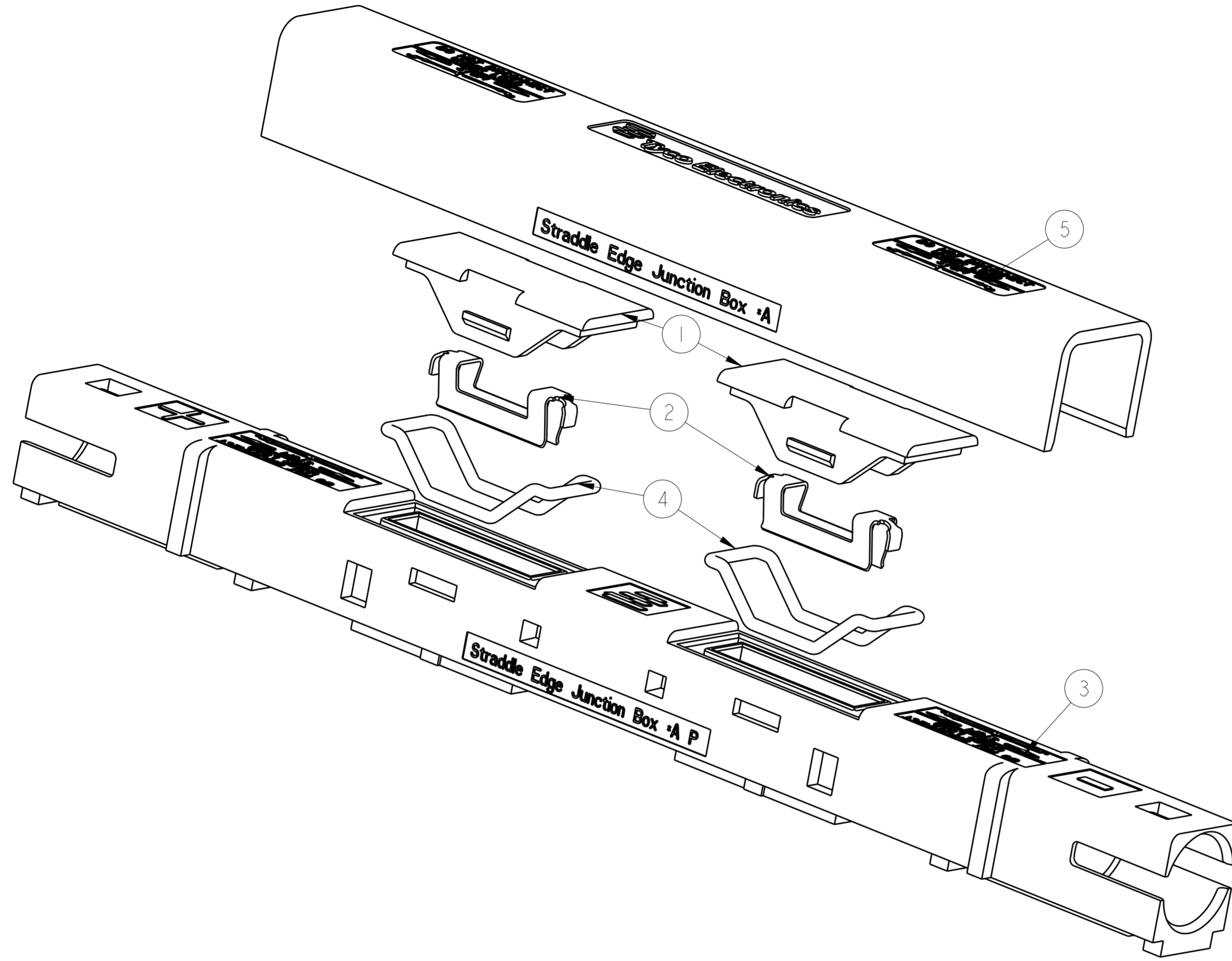
-1, -2 as shown

QTY	QTY	PART NO.	DESCRIPTION	ITEM NO.
2	2	1971144-1	O-RING	4
1	-	1971122-2	EDGE HSG ASSY(DIODE:6A10S)	3
-	1	1971122-1	EDGE HSG ASSY(DIODE:SBH 1540S)	
2	2	1971145-1	CLAMP SPRING	2
2	2	1971143-1	COVER	1

THIS DRAWING IS A CONTROLLED DOCUMENT.		DWN LORRY WANG 20FEB2013	 TE Connectivity
DIMENSIONS: mm		CHK DANIEL TAO 20FEB2013	
TOLERANCES UNLESS OTHERWISE SPECIFIED:		APVD PETER YIN 20FEB2013	
0 PLC ±0.5 1 PLC ±0.5 2 PLC ±0.15 3 PLC ± 4 PLC ± ANGLES ± FINISH ±		PRODUCT SPEC 108-106018 APPLICATION SPEC 114-106001 WEIGHT Customer Drawing	
MATERIAL		NAME STRADDLE EDGE CONNECTOR ASSY	RESTRICTED TO
		SIZE A200779	DRAWING NO C-1971569
		SCALE 1:1	SHEET 2 OF 4 REV A8

THIS DRAWING IS UNPUBLISHED. RELEASED FOR PUBLICATION 20
 © COPYRIGHT 20 BY - ALL RIGHTS RESERVED.

LOC	DIST	REVISIONS			
P	LTR	DESCRIPTION	DATE	DWN	APVD
-	-	SEE SHEET 1	-	-	-



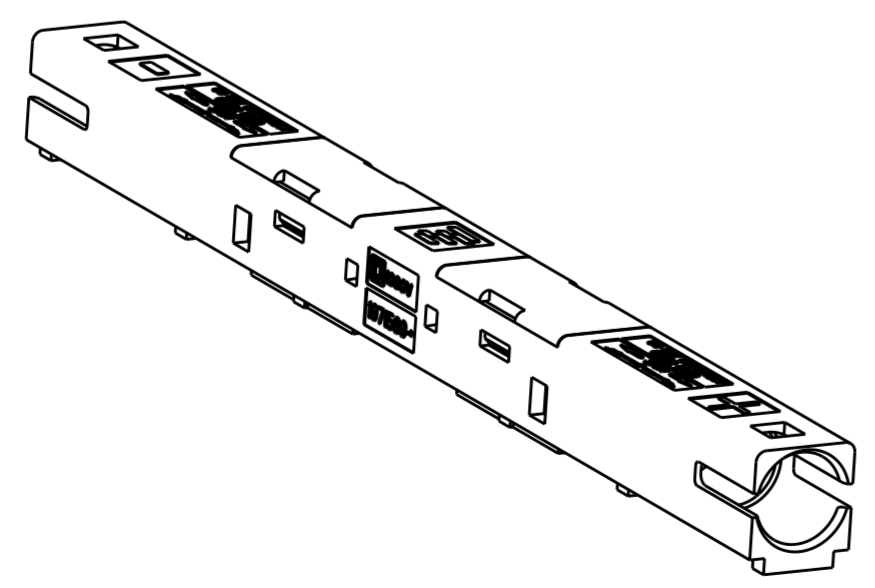
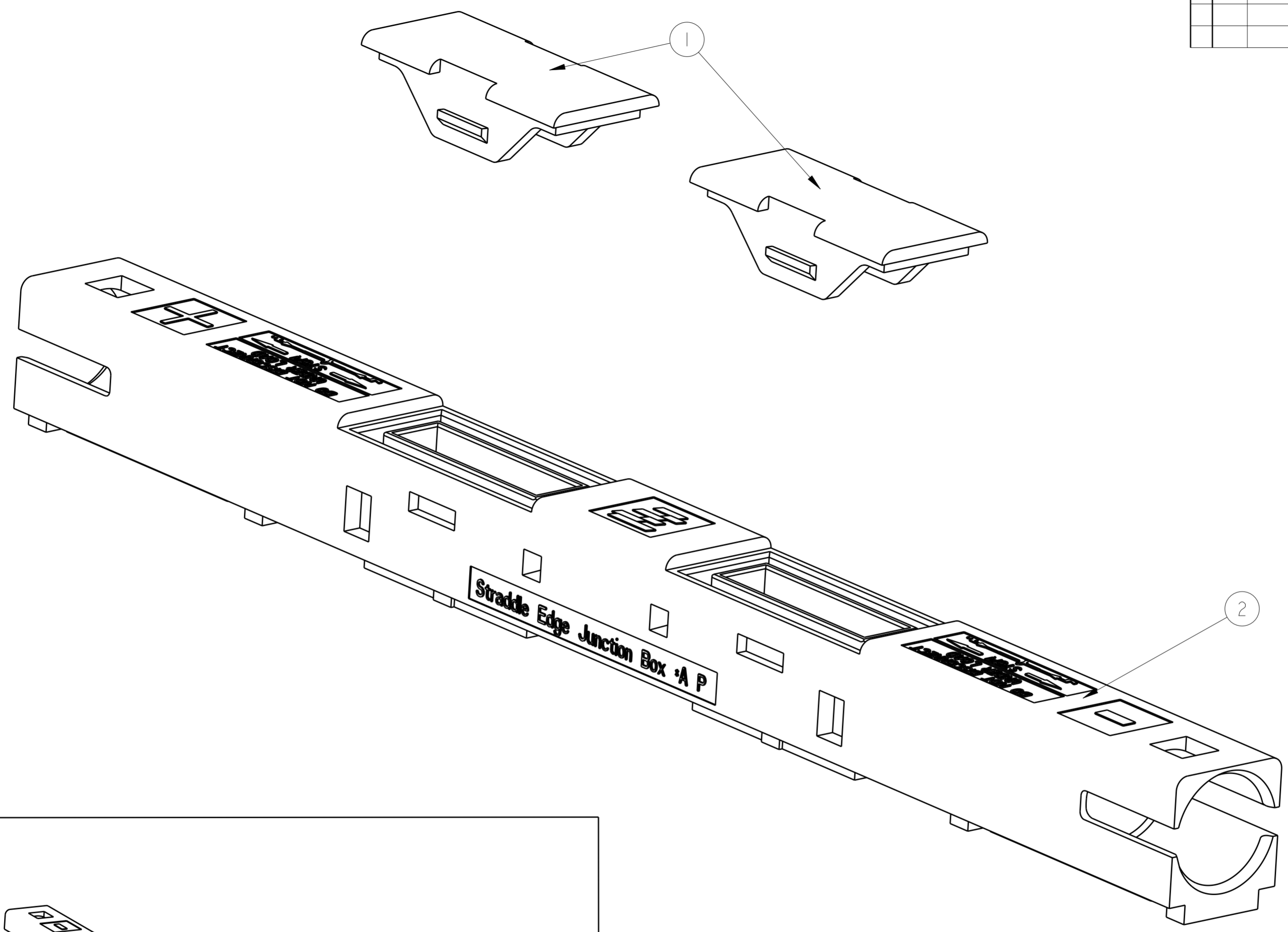
-3, -4 as shown

QTY	QTY	PART NO.	DESCRIPTION	ITEM NO.
1	1	1971674-2	cap housing	5
2	2	1971144-1	O-RING COVER	4
1	-	1971122-4	EDGE HSG ASSY(DIODE:6A10S)	3
-	1	1971122-3	EDGE HSG ASSY(DIODE:SBH 1540S)	
2	2	1971145-1	CLAMP SPRING	2
2	2	1971143-1	COVER	1
-4	-3	PART NO.	DESCRIPTION	ITEM NO.

THIS DRAWING IS A CONTROLLED DOCUMENT.		DWN LORRY WANG 20FEB2013	TE Connectivity	
DIMENSIONS: mm		CHK DANIEL TAO 20FEB2013		NAME STRADDLE EDGE CONNECTOR ASSY
TOLERANCES UNLESS OTHERWISE SPECIFIED: 0 PLC ±0.5 1 PLC ±0.5 2 PLC ±0.13 3 PLC ± 4 PLC ± ANGLES ± FINISH		APVD PETER YIN 20FEB2013		
MATERIAL		PRODUCT SPEC 108-106018 APPLICATION SPEC 114-106001 WEIGHT -		RESTRICTED TO -
Customer Drawing		SCALE 1:1	SHEET 3 OF 4 REV A8	


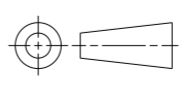
THIS DRAWING IS UNPUBLISHED. RELEASED FOR PUBLICATION 20
 © COPYRIGHT 20 BY - ALL RIGHTS RESERVED.

LOC		DIST		REVISIONS			
P	LTR	DESCRIPTION	DATE	DWN	APVD		
-	-	SEE SHEET 1	-	-	-		



-5, -6 as shown

QTY		PART NO.	DESCRIPTION	ITEM NO.
1	-	1971122-2	EDGE HSG ASSY(DIODE:6A10S)	2
-	1	1971122-1	EDGE HSG ASSY(DIODE:SBH 1540S)	
2	2	1971143-1	COVER	1
PART LIST				

THIS DRAWING IS A CONTROLLED DOCUMENT.		DWN LORRY WANG 20FEB2013	 TE Connectivity
DIMENSIONS: mm		CHK DANIEL TAO 20FEB2013	
		APVD PETER YIN 20FEB2013	
TOLERANCES UNLESS OTHERWISE SPECIFIED:		PRODUCT SPEC	NAME STRADDLE EDGE CONNECTOR ASSY
0 PLC	±0.5	108-106018	SIZE
1 PLC	±0.5	APPLICATION SPEC	CAGE CODE
2 PLC	±0.13	114-106001	DRAWING NO
3 PLC	±	WEIGHT	RESTRICTED TO
4 PLC	±	Customer Drawing	A200779
ANGLES	±	SCALE 1:1	C-1971569
FINISH	±	SHEET 4 OF 4	REV A8