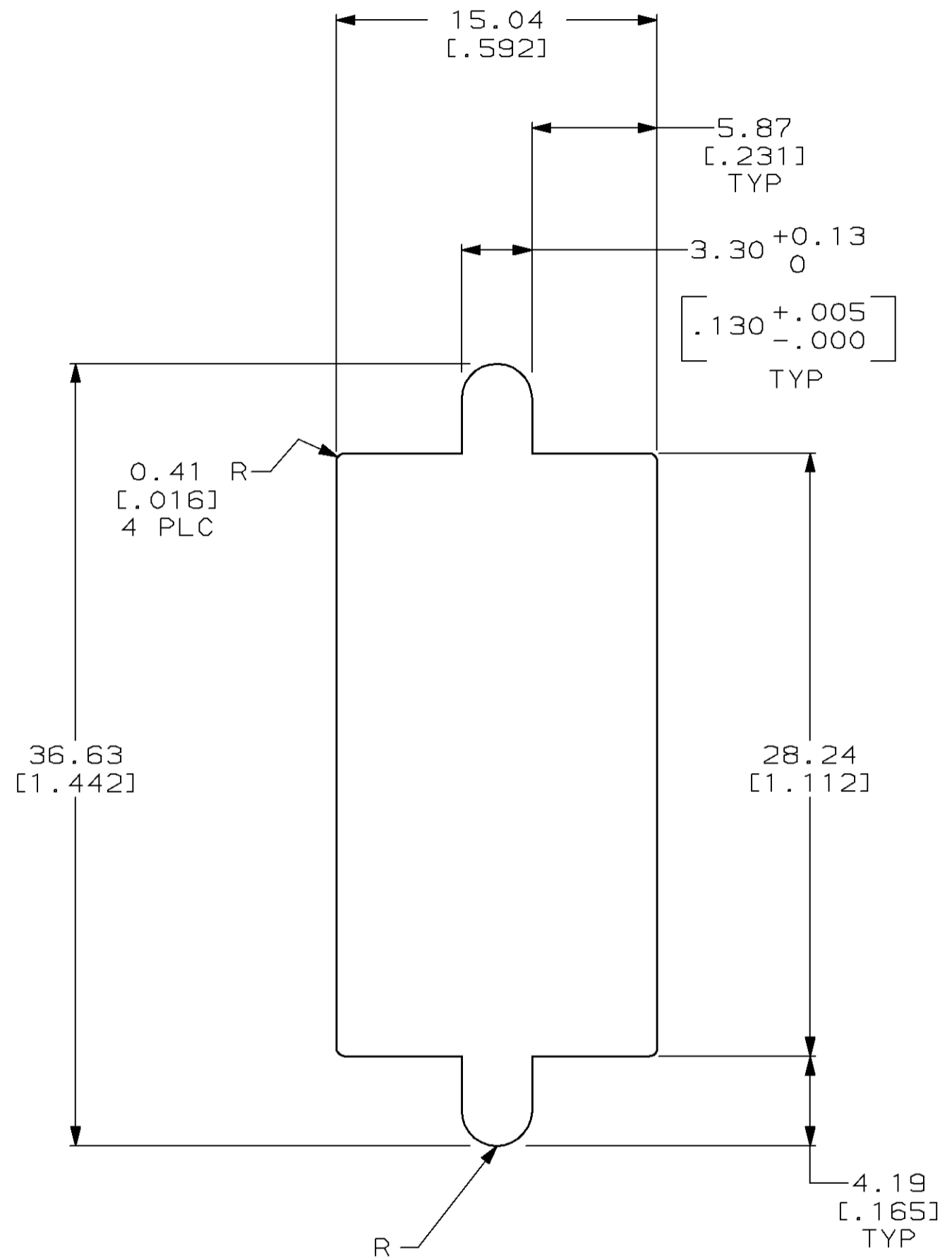
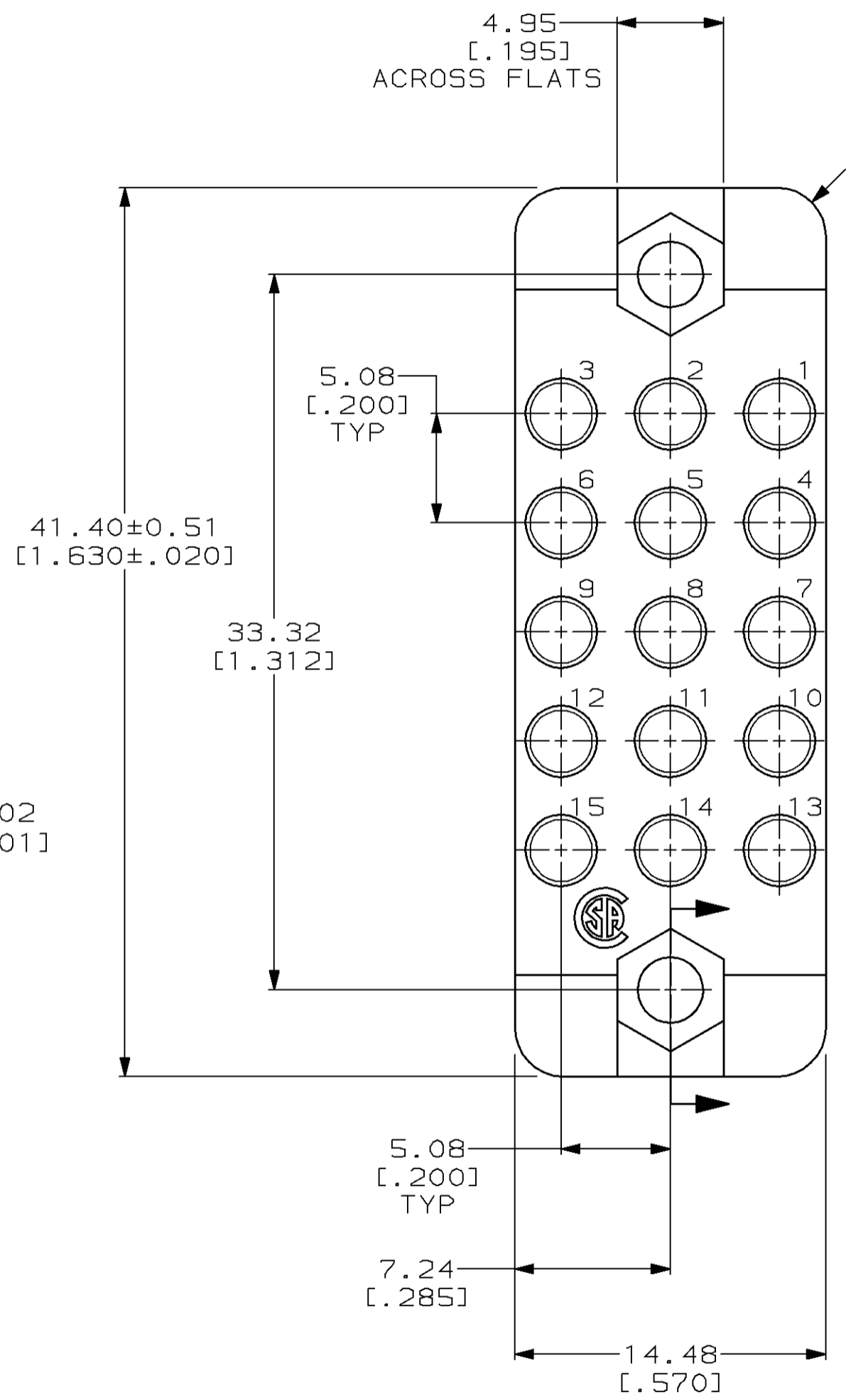
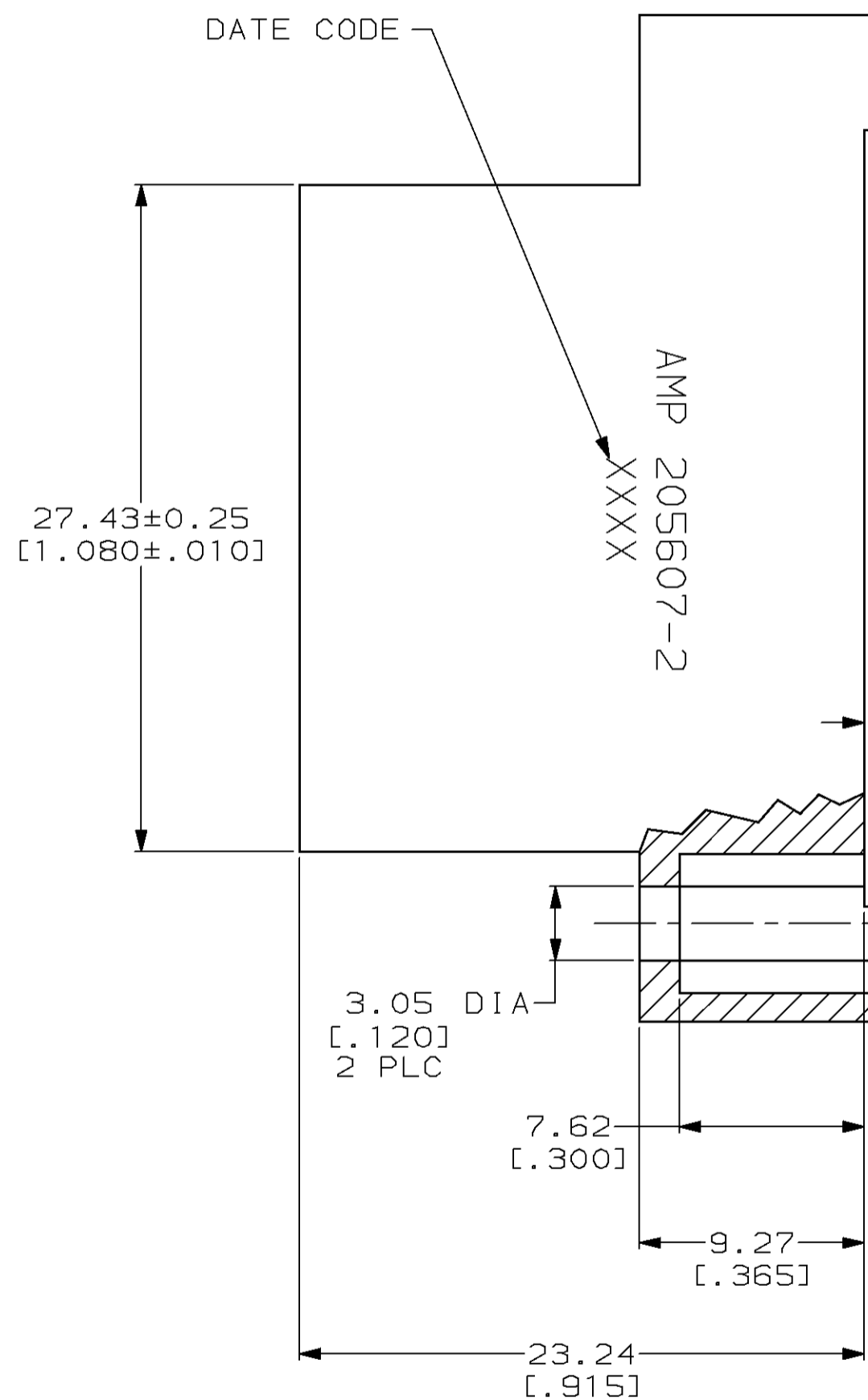


THIS DRAWING IS UNPUBLISHED. RELEASED FOR PUBLICATION
 © COPYRIGHT 19 BY AMP INCORPORATED. ALL RIGHTS RESERVED.

Loc		DIST		REVISIONS			
P	LTR	DESCRIPTION		DATE	DWN	APVD	
E		REDRAWN W/O CHANGE PER EC 0020-289-96		09 AUG 96	-	-	



RECOMMENDED PANEL CUTOUT

205607-2
PART NUMBER

- 1 PHENOLIC PER MIL-M-14, TYPE CFG, BLACK.
- 2. MATES WITH BLOCK 205606.
- 3. ACCOMODATES 15 TYPE II OR III+ SIZE #16 SOCKET CONTACTS.

THIS DRAWING IS A CONTROLLED DOCUMENT.		DWN B. CARBO 09 AUG 96	AMP Incorporated Harrisburg, PA 17105-3608														
DIMENSIONS: mm [INCHES]		CHK R. STONE 25 JUN 97															
TOLERANCES UNLESS OTHERWISE SPECIFIED:		APVD G. STEINHAUER 02 SEP 97	NAME BLOCK, PIN, 15 POSITION, M SERIES														
<table border="1"> <tr><td>0 PLC</td><td>±-</td></tr> <tr><td>1 PLC</td><td>±-</td></tr> <tr><td>2 PLC</td><td>±0.13 [.005]</td></tr> <tr><td>3 PLC</td><td>±-</td></tr> <tr><td>4 PLC</td><td>±-</td></tr> <tr><td>ANGLES</td><td>±-</td></tr> <tr><td>FINISH</td><td>-</td></tr> </table>		0 PLC	±-	1 PLC	±-	2 PLC	±0.13 [.005]	3 PLC	±-	4 PLC	±-	ANGLES	±-	FINISH	-	PRODUCT SPEC -	SIZE A2
0 PLC	±-																
1 PLC	±-																
2 PLC	±0.13 [.005]																
3 PLC	±-																
4 PLC	±-																
ANGLES	±-																
FINISH	-																
MATERIAL 1		APPLICATION SPEC -	CAGE CODE 00779														
		WEIGHT -	DRAWING NO C-205607														
		CUSTOMER DRAWING	SCALE 4:1														
			SHEET 1 OF 1														
			REV E														