

### RAFIX 30 FS<sup>+</sup>

#### DESIGNED TO PERFECTION

RAFIX 30 FS<sup>+</sup> stands out for all the benefits of the control component series RAFIX 22 FS<sup>+</sup> plus extra flat lenses and a low overall height. On request, the pushbuttons in this series can be individually equipped with SMD LEDs or a MICON 5 tactile keyswitch for improved haptic perception. In short: The flat alternative for users with extremely high design standards.

#### SLIM

- Designs with PCB contact blocks feature a distance between the front panel and printed circuit board of only 15.8 mm.
- With QC contact blocks, only 33 mm of space is needed behind the front panel.

#### Combinable with all contact blocks and accessories with RAFIX FS technology

- PCB or QC contact blocks
- Gold contacts from 5 V or silver contacts up to 250 V
- Short-travel adapter enables short-travel actuation (0.5 mm switching travel) with perceptible key click
- Variable illumination, compatible with 3 mm THT LEDs / SMT LEDs or LED clip

#### The RAFIX 30 FS<sup>+</sup> series has a variety of actuators and signal indicators

##### Pushbuttons

- Illuminable
- Optional FLEXLAB with exchangeable legend insert

##### Selector switches

- Rotating angle 40°, 60° or 90°
- Latching or momentary
- Illuminable

##### Keylock switches

- Rotating angle 40° or 90°
- Latching or momentary

##### Signal indicators

- Green, yellow, red, blue or white

##### USB grommet

- USB type A to USB type B
- With protective cap

##### Approvals

- IEC 60947-5-1/5
- UL
- CCC

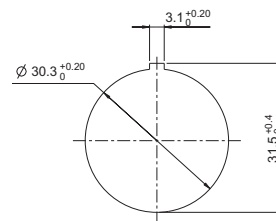


2

#### Mounting hole

The actuators in the RAFIX 30 FS<sup>+</sup> series are designed for 30.3 mm mounting holes.

All actuators are equipped with a locating pip. This locating pip ensures a perfect fit for actuators and contact blocks with PCB-mounted components and is therefore essential for designs including these contact blocks.



RAFIX  
30 FS<sup>+</sup>

#### Grid spacing

The design principle makes it possible to use a minimum grid spacing of 35 mm x 35 mm. When choosing the grid spacing, it is recommended to consider any external legending required (for example, using label strips inserted into the front panel).

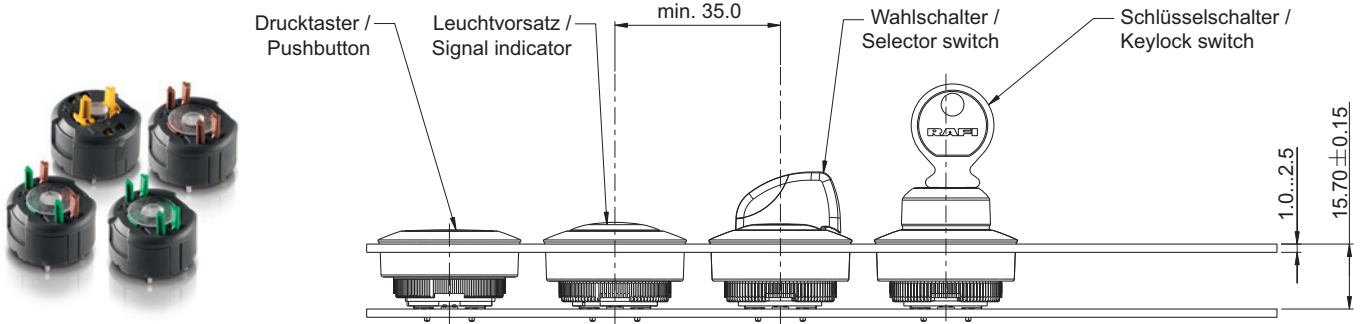


# CONTROL COMPONENTS

RAFIX 30 FS<sup>+</sup> CONTROL COMPONENTS

## RAFIX 30 FS<sup>+</sup>

### RAFIX 30 FS<sup>+</sup> with PCB contact block

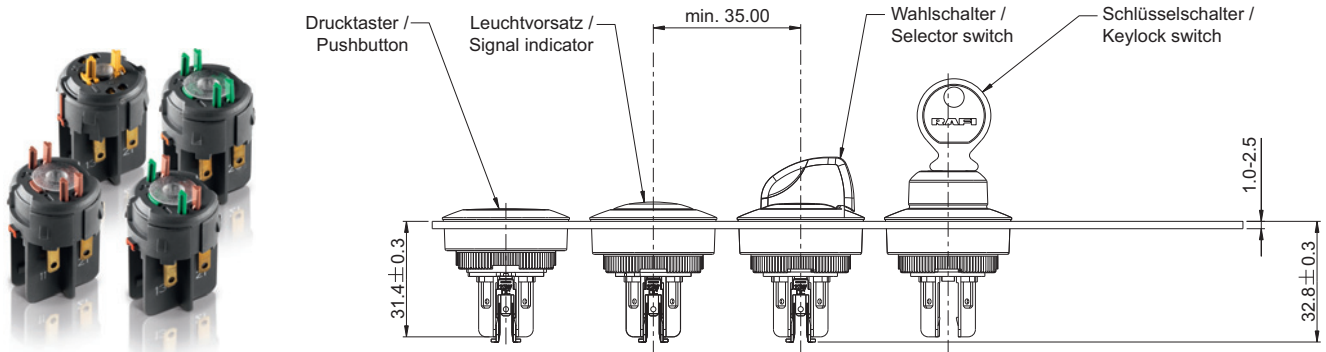


For printed circuit board hole patterns, see RAFIX 22 FS-Technology contact blocks

Formula for spacer length

$$\frac{15.8 \text{ mm} - \text{Front panel thickness}}{\text{Length of spacer}}$$

### RAFIX 30 FS<sup>+</sup> with QC contact block



2

RAFIX  
30 FS<sup>+</sup>